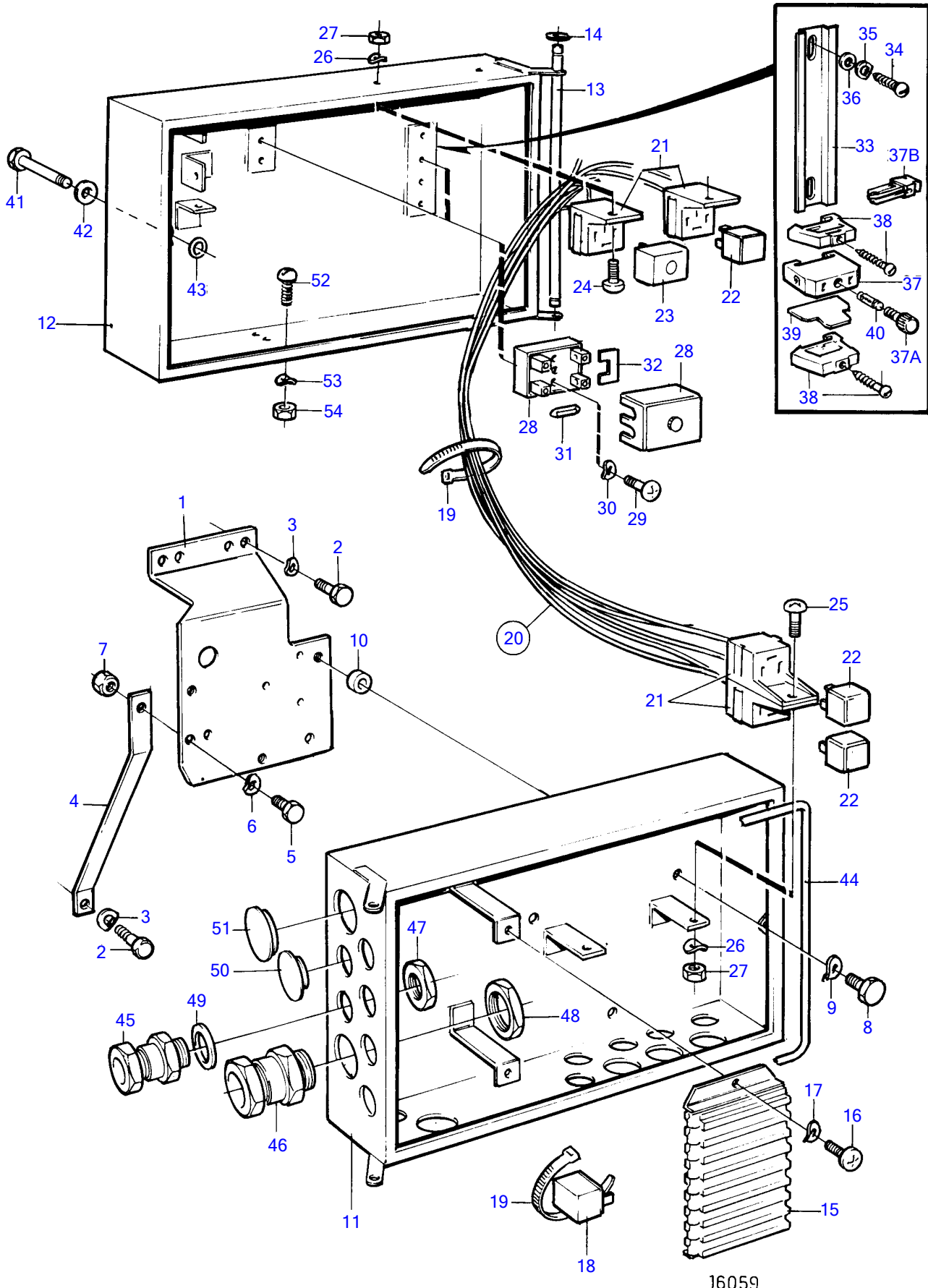


TAMD122A, TMD122A



## TAMD122A, TMD122A

| REF | PART NO. | QTY | DESCRIPTION          | NOTES                                   |
|-----|----------|-----|----------------------|---|
| 1   | 846819   | 1   | Bracket              |   |
| 2   | 940114   | 3   | Hexagon screw        |   |
| 3   | 942336   | 3   | Spring washer        |   |
| 4   | 846911   | 1   | Bracket              |   |
| 5   | 955524   | 1   | Hexagon screw        |   |
| 6   | 941907   | 1   | Spring washer        |   |
| 7   | 955826   | 1   | Hexagon nut          |   |
| 8   | 955297   | 3   | Hexagon screw        |   |
| 9   | 941907   | 3   | Spring washer        |   |
| 10  | 845589   | 3   | Spacer sleeve        |   |
| 11  | (843124) | 1   | Clutch housing       | Obsolete part                           |
| 12  | (843126) | 1   | Cardboard tube       | Obsolete part                           |
| 13  | (837838) | 1   | Shaft                | Obsolete part                           |
| 14  | 951667   | 2   | E-circlip            |   |
| 15  | 843095   | 1   | Terminal block       |   |
| 16  | (956075) | 2   | Cross recessed screw | Obsolete part                           |
| 17  | 941905   | 2   | Spring washer        |   |
| 18  | 837722   | 1   | Resistor             |   |
| 19  | 948211   | X   | Cable tie            |   |
| 20  | (846211) | 1   | Cable trunk          | Obsolete part                           |
| 21  | 977184   | 7   | • Housing            | (946556)                                |
| 22  | 877306   | 6   | Relay                | (8153600)                               |
| 23  | 842987   | 1   | Voltage monitor      |   |
| 24  | (956075) | 2   | Cross recessed screw | Obsolete part                           |
| 25  | 956076   | 2   | Cross recessed screw |   |
| 26  | 941905   | 4   | Spring washer        |   |
| 27  | 955780   | 4   | Hexagon nut          |   |
| 28  | (88578)  | 4   | Fuse box             | Early type, Obsolete part               |
| 29  | 956060   | 8   | Cross recessed screw | Early type                              |
| 30  | 941904   | 8   | Spring washer        | Early type                              |
| 31  | 942545   | 4   | Fuse                 | Early type                              |
|     | 11433    | 2   | Fuse                 | Early type                              |
|     | 943905   | 2   | Fuse                 | Early type                              |
| 32  | (842390) | 2   | Bridge connector     | Early type, Obsolete part               |
| 33  |          | 1   | Rail                 | Late type                               |
| 34  | 956058   | 2   | Cross recessed screw | Late type                               |
| 35  | 960137   | 2   | Washer               | Late type                               |
| 36  | 941904   | 2   | Spring washer        | Late type                               |
| 37  | 872892   | 4   | Fuse board           | Late type                               |
| 37A |          | 4   | • Fuse holder        | Late type                               |
| 37B |          | X   | Brace                | Late type                               |
| 38  |          | 2   | Stop, shoulder       | Late type                               |
|     |          | 1   | • Screw              | Late type                               |
| 39  |          | 1   | End plate            | Late type                               |
| 40  | 862962   | 4   | Fuse                 | Fuse, type glass tube 8 amp., Late type |
| 41  | 955261   | 1   | Hexagon screw        |   |
| 42  | 960138   | 1   | Washer               |   |
| 43  | 955978   | 1   | O-ring               |   |
| 44  | (842224) | X   | Sealing strip        | Obsolete part                           |
| 45  | 822327   | X   | Grommet              |   |
|     | 881192   | X   | Grommet              |   |
| 46  | 881193   | X   | Grommet              |   |
| 47  | 880243   | X   | Nut                  |   |
| 48  | 880755   | X   | Nut                  |   |
| 49  | 957185   | X   | Gasket               |   |
| 50  | 94081    | X   | Plug                 |   |
| 51  | 662620   | X   | Rubber button        |   |
| 52  | (956075) | 2   | Cross recessed screw | Obsolete part                           |
| 53  | 941905   | 2   | Spring washer        |   |
| 54  | 955780   | 2   | Hexagon nut          |   |